

6.2 T835 Receiver PCB

This section contains the following information.

IPN	Section	Page
220-01186-02	Parts List	6.2.3
	Mechanical & Miscellaneous Parts	6.2.7
	Grid Reference Index	6.2.9
	PCB Layout - Top Side	6.2.13
	PCB Layout - Bottom Side	6.2.14
	Test Points & Options - Top Side	6.2.15
	Test Points & Options - Bottom Side	6.2.16
	Synthesiser Circuit Diagram	6.2.17
	Audio Processor Circuit Diagram	6.2.18
	Regulator Circuit Diagram	6.2.19
	Receiver Circuit Diagram	6.2.20

T835 Parts List (IPN 220-01186-02)

How To Use This Parts List

The components listed in this parts list are divided into two main types: those with a circuit reference (e.g. C2, D1, R121, etc) and those without (miscellaneous and mechanical).

Those with a circuit reference are grouped by component type in numerical order. Each component entry comprises three or four columns: the circuit reference, variant number (if applicable), IPN and description. A number in the variant column indicates that this component is fitted only to that variant.

The miscellaneous and mechanical section lists the variant and common parts in IPN order.

Parts List Amendments

There were no amendments to the parts list at the time of publication.

Ref	Var	IPN	Description	Ref	Var	IPN	Description
C1		015-23680-08	CAP CER 0805 CHIP 680P 10% X7R 50V	C126		015-06100-08	CAP CER 1206 CHIP 100N 10% X7R 50V
C2		015-06100-08	CAP CER 1206 CHIP 100N 10% X7R 50V	C127		020-09220-01	CAP ELECT RADL 220M 16V 10X12.5MM
C4		015-23680-08	CAP CER 0805 CHIP 680P 10% X7R 50V	C128		015-06100-08	CAP CER 1206 CHIP 100N 10% X7R 50V
C5		015-23680-08	CAP CER 0805 CHIP 680P 10% X7R 50V	C129		015-06100-08	CAP CER 1206 CHIP 100N 10% X7R 50V
C6		015-23680-08	CAP CER 0805 CHIP 680P 10% X7R 50V	&C130	10	015-25100-08	CAP CER 0805 CHIP 10N 10% X7R 50V
C7		015-23680-08	CAP CER 0805 CHIP 680P 10% X7R 50V	&C130	15	015-24470-08	CAP CER 0805 CHIP 4N7 10% X7R 50V
C8		015-23680-08	CAP CER 0805 CHIP 680P 10% X7R 50V	&C130	20	015-25100-08	CAP CER 0805 CHIP 10N 10% X7R 50V
C9		015-06100-08	CAP CER 1206 CHIP 100N 10% X7R 50V	&C130	25	015-24470-08	CAP CER 0805 CHIP 4N7 10% X7R 50V
C13		020-58100-03	CAP ELECT AI RDL 10M 50V 5X11MM	C131		015-24100-08	CAP CER 0805 CHIP 1N 10% X7R 50V
C14		015-06100-08	CAP CER 1206 CHIP 100N 10% X7R 50V	C132		015-24470-08	CAP CER 0805 CHIP 4N7 10% X7R 50V
C15		015-22560-01	CAP CER 0805 CHIP 56P 5% NPO 50V	C133		015-05470-08	CAP CER 1206 CHIP 47N 10% X7R 50V
C16		015-23680-08	CAP CER 0805 CHIP 680P 10% X7R 50V	C134		020-07470-91	CAP ELECT RADL 4M7 63V 6X11MM BI-POLAR
C17		015-23470-08	CAP CER 0805 CHIP 470P 10% X7R 50V	C135		020-07470-91	CAP ELECT RADL 4M7 63V 6X11MM BI-POLAR
C19		015-06100-08	CAP CER 1206 CHIP 100N 10% X7R 50V	C136		015-24100-08	CAP CER 0805 CHIP 1N 10% X7R 50V
C20		025-08100-02	CAP TANT BEAD 10M 10% 16V	C137		015-24100-08	CAP CER 0805 CHIP 1N 10% X7R 50V
C21		015-25100-08	CAP CER 0805 CHIP 10N 10% X7R 50V	C138		015-06100-08	CAP CER 1206 CHIP 100N 10% X7R 50V
C22		015-25150-08	CAP CER 0805 CHIP 15N 10% X7R 50V	C139		015-06100-08	CAP CER 1206 CHIP 100N 10% X7R 50V
C23		022-06330-03	CAP METAL POLYES 330N 10% 50V 5MM L/S	C140		015-06100-08	CAP CER 1206 CHIP 100N 10% X7R 50V
C24		020-58100-03	CAP ELECT AI RDL 10M 50V 5X11MM	C141		020-58100-03	CAP ELECT AI RDL 10M 50V 5X11MM
C25		015-06100-08	CAP CER 1206 CHIP 100N 10% X7R 50V	C142		015-05470-08	CAP CER 1206 CHIP 47N 10% X7R 50V
C26		025-08100-02	CAP TANT BEAD 10M 10% 16V	C143		020-08100-03	CAP ELECT RADL 10UF 50V 5X11MM
C27		025-08100-02	CAP TANT BEAD 10M 10% 16V	C200		015-06100-08	CAP CER 1206 CHIP 100N 10% X7R 50V
C28		015-06100-08	CAP CER 1206 CHIP 100N 10% X7R 50V	C201		020-58100-03	CAP ELECT AI RDL 10M 50V 5X11MM
C30		015-06100-08	CAP CER 1206 CHIP 100N 10% X7R 50V	C202		015-06100-08	CAP CER 1206 CHIP 100N 10% X7R 50V
C31		015-06100-08	CAP CER 1206 CHIP 100N 10% X7R 50V	C203		015-24100-08	CAP CER 0805 CHIP 1N 10% X7R 50V
C32		015-06100-08	CAP CER 1206 CHIP 100N 10% X7R 50V	C204		020-09470-07	CAP 470M 16V 20% ELEC VERT 8*20 3.5MM L
C33		015-24100-08	CAP CER 0805 CHIP 1N 10% X7R 50V	C205		015-24470-08	CAP CER 0805 CHIP 4N7 10% X7R 50V
C34		015-21820-01	CAP CER 0805 CHIP 8P2 +/-0.25P NPO 50V	C206		015-24100-08	CAP CER 0805 CHIP 1N 10% X7R 50V
C35		015-06100-08	CAP CER 1206 CHIP 100N 10% X7R 50V	C207		020-58100-03	CAP ELECT AI RDL 10M 50V 5X11MM
C36		025-08100-02	CAP TANT BEAD 10M 10% 16V	C210		015-06100-08	CAP CER 1206 CHIP 100N 10% X7R 50V
C37		015-23680-08	CAP CER 0805 CHIP 680P 10% X7R 50V	C211		025-08100-02	CAP TANT BEAD 10M 10% 16V
C38		015-25100-08	CAP CER 0805 CHIP 10N 10% X7R 50V	C212		025-07330-01	CAP TANT BEAD 3M3 35V
C39		015-24100-08	CAP CER 0805 CHIP 1N 10% X7R 50V	C213		015-24470-08	CAP CER 0805 CHIP 4N7 10% X7R 50V
C40		015-06100-08	CAP CER 1206 CHIP 100N 10% X7R 50V	C214		020-57100-02	CAP ELECT AI RDL 1M 50V 5X11MM
C100		020-57100-02	CAP ELECT AI RDL 1M 50V 5X11MM	C215		020-58100-03	CAP ELECT AI RDL 10M 50V 5X11MM
C101		015-24470-08	CAP CER 0805 CHIP 4N7 10% X7R 50V	C216		015-06100-08	CAP CER 1206 CHIP 100N 10% X7R 50V
C102		020-58470-02	CAP ELECT AI RDL 47M 16V 6X11MM	C217		015-23120-01	CAP CER 0805 CHIP 120P 5% NPO 50V
C103		015-05470-08	CAP CER 1206 CHIP 47N 10% X7R 50V	C218		015-23120-01	CAP CER 0805 CHIP 120P 5% NPO 50V
C104		015-21220-01	CAP CER 0805 CHIP 2P2 +/-0.25P NPO 50V	C219		015-06100-08	CAP CER 1206 CHIP 100N 10% X7R 50V
C105		015-06100-08	CAP CER 1206 CHIP 100N 10% X7R 50V	C220		015-23120-01	CAP CER 0805 CHIP 120P 5% NPO 50V
C106		015-22470-01	CAP CER 0805 CHIP 47P 5% NPO 50V	C221		015-06100-08	CAP CER 1206 CHIP 100N 10% X7R 50V
C107		015-24470-08	CAP CER 0805 CHIP 4N7 10% X7R 50V	C222		015-06100-08	CAP CER 1206 CHIP 100N 10% X7R 50V
C108		015-24100-08	CAP CER 0805 CHIP 1N 10% X7R 50V	C301		015-22150-01	CAP CER 0805 CHIP 15P 5% NPO 50V
C110		020-59100-06	CAP ELECT AI RDL 100M 16V 6.3X11MM	C302		015-22330-01	CAP CER 0805 CHIP 33P 5% NPO 50V
C111		015-24470-08	CAP CER 0805 CHIP 4N7 10% X7R 50V	C303		015-22330-01	CAP CER 0805 CHIP 33P 5% NPO 50V
C112		020-58100-03	CAP ELECT AI RDL 10M 50V 5X11MM	C304		015-22150-01	CAP CER 0805 CHIP 15P 5% NPO 50V
C113		015-24100-08	CAP CER 0805 CHIP 1N 10% X7R 50V	C305		015-22390-01	CAP CER 0805 CHIP 39P 5% NPO 50V
C114		015-24100-08	CAP CER 0805 CHIP 1N 10% X7R 50V	C306		015-21560-01	CAP CER 0805 CHIP 5P6 +/-0.25P NPO 50V
C115		015-06100-08	CAP CER 1206 CHIP 100N 10% X7R 50V	C307		015-22150-01	CAP CER 0805 CHIP 15P 5% NPO 50V
C116		015-06100-08	CAP CER 1206 CHIP 100N 10% X7R 50V	C308		015-22150-01	CAP CER 0805 CHIP 15P 5% NPO 50V
C117		020-59100-06	CAP ELECT AI RDL 100M 16V 6.3X11MM	C309		015-22390-01	CAP CER 0805 CHIP 39P 5% NPO 50V
C118		020-59100-06	CAP ELECT AI RDL 100M 16V 6.3X11MM	C310		015-22330-01	CAP CER 0805 CHIP 33P 5% NPO 50V
C119		015-24100-08	CAP CER 0805 CHIP 1N 10% X7R 50V	C311		015-22120-01	CAP CER 0805 CHIP 12P 5% NPO 50V
C120		015-24100-08	CAP CER 0805 CHIP 1N 10% X7R 50V	C312		015-21560-01	CAP CER 0805 CHIP 5P6 +/-0.25P NPO 50V
C121		015-06100-08	CAP CER 1206 CHIP 100N 10% X7R 50V	C313		015-22150-01	CAP CER 0805 CHIP 15P 5% NPO 50V
C122		020-09470-05	CAP ELECT RADL 470M 16V 10X12.5MM	C314		015-22390-01	CAP CER 0805 CHIP 39P 5% NPO 50V
C123		015-06100-08	CAP CER 1206 CHIP 100N 10% X7R 50V	C315		015-22150-01	CAP CER 0805 CHIP 15P 5% NPO 50V
C124		020-59100-06	CAP ELECT AI RDL 100M 16V 6.3X11MM	C316		015-22390-01	CAP CER 0805 CHIP 39P 5% NPO 50V
C125		020-09220-01	CAP ELECT RADL 220M 16V 10X12.5MM	C317		015-22220-01	CAP CER 0805 CHIP 22P 5% NPO 50V

Ref	Var	IPN	Description	Ref	Var	IPN	Description
C318		015-23680-08	CAP CER 0805 CHIP 680P 10% X7R 50V	D100		001-10000-99	(S) DIODE SMD BAV99 DUAL SWITCH SINGLE IN
C319		015-06100-08	CAP CER 1206 CHIP 100N 10% X7R 50V	D101		001-10000-56	(S) DIODE SMD BAW56 DUAL SWITCH SOT-23
C320		015-24470-08	CAP CER 0805 CHIP 4N7 10% X7R 50V	D103		001-10000-70	(S) DIODE SMD BAV70 DUAL SWITCH SOT-23
C321		015-24470-08	CAP CER 0805 CHIP 4N7 10% X7R 50V	D104		001-10000-70	(S) DIODE SMD BAV70 DUAL SWITCH SOT-23
C322		015-24470-08	CAP CER 0805 CHIP 4N7 10% X7R 50V	D106		001-00011-70	(S) DIODE 1N4001 1A/50V
C323		015-24470-08	CAP CER 0805 CHIP 4N7 10% X7R 50V	D107		001-00011-70	(S) DIODE 1N4001 1A/50V
C324		015-22470-01	CAP CER 0805 CHIP 47P 5% NPO 50V	D108		001-00011-70	(S) DIODE 1N4001 1A/50V
C325		015-22150-01	CAP CER 0805 CHIP 15P 5% NPO 50V	D200		001-10000-99	(S) DIODE SMD BAV99 DUAL SWITCH SINGLE IN
C326		015-21680-01	CAP CER 0805 CHIP 6P8 +/-0.25P NPO 50V	D201		001-00011-60	(S) DIODE SR2607 6A/30V
C327		015-22150-01	CAP CER 0805 CHIP 15P 5% NPO 50V	D203		001-10000-70	(S) DIODE SMD BAV70 DUAL SWITCH SOT-23
C328		015-22470-01	CAP CER 0805 CHIP 47P 5% NPO 50V	D301		001-10000-56	(S) DIODE SMD BAW56 DUAL SWITCH SOT-23
C329		015-22100-01	CAP CER 0805 CHIP 10P +/-0.5P NPO 50V				
C330		015-22390-01	CAP CER 0805 CHIP 39P 5% NPO 50V	IC1		002-00017-51	(S) IC SP8793 DUAL MOD PRESC 40/41
C331		015-22470-01	CAP CER 0805 CHIP 47P 5% NPO 50V	IC2		539-00010-41	TCXO 12.8MHZ +/-2.5PPM -30 TO +70C NDK
C332		015-22150-01	CAP CER 0805 CHIP 15P 5% NPO 50V	IC3		002-00017-63	(S) IC NJ8820DP FREQ SYNTHESIZER
C333		015-21680-01	CAP CER 0805 CHIP 6P8 +/-0.25P NPO 50V	IC4		002-00012-47	(S) IC MC33078 DUAL OP AMP LO NOISE
C334		015-22150-01	CAP CER 0805 CHIP 15P 5% NPO 50V	IC5		002-74000-04	(S) IC 74HCU04 UNBUFF HEX INVERTER
C335		015-22470-01	CAP CER 0805 CHIP 47P 5% NPO 50V	IC6		002-74000-74	(S) IC 74HC74 DUAL D F/F
C336		015-23180-01	CAP CER 0805 CHIP 180P 5% NPO 50V	IC100		002-00012-40	(S) IC 358 DUAL OP AMP
C337		015-23180-01	CAP CER 0805 CHIP 180P 5% NPO 50V	IC101		002-00012-40	(S) IC 358 DUAL OP AMP
C338		015-24470-08	CAP CER 0805 CHIP 4N7 10% X7R 50V	IC102		002-00014-05	(S) IC TDA7231 1.6W AF PWR
C339		015-24470-08	CAP CER 0805 CHIP 4N7 10% X7R 50V	IC103		002-00014-05	(S) IC TDA7231 1.6W AF PWR
C340		020-58100-03	CAP ELECT AI RDL 10M 50V 5X11MM	IC104		002-00012-40	(S) IC 358 DUAL OP AMP
C341		015-24100-08	CAP CER 0805 CHIP 1N 10% X7R 50V	IC201		002-00012-40	(S) IC 358 DUAL OP AMP
C342		015-22390-01	CAP CER 0805 CHIP 33P 5% NPO 50V	IC202		002-00014-62	(S) IC 317L 100MA REG 3 TERMINAL TO-92
C343		015-22390-01	CAP CER 0805 CHIP 39P 5% NPO 50V	IC301		002-00022-01	(S) MIXER DOUBLE BLNCD TAK-1WH MIXER 2
&C344	10	015-22270-01	CAP CER 0805 CHIP 27P 5% NPO 50V	IC302		002-00061-20	(S) IC NE612AN DBM & OSCILLATOR
&C344	15	015-22390-01	CAP CER 0805 CHIP 39P 5% NPO 50V	IC303		002-00061-40	(S) IC NE614AN LO PWR FM IF SYSTEM DIP
&C344	20	015-22270-01	CAP CER 0805 CHIP 27P 5% NPO 50V	IC304		002-00012-25	(S) IC TL084 QUAD OP AMP JFET I/P
&C344	25	015-22390-01	CAP CER 0805 CHIP 39P 5% NPO 50V				
&C345	10	015-25100-08	CAP CER 0805 CHIP 10N 10% X7R 50V	L1		052-08160-25	COIL A/W 2.5T/6.0MM HOR 0.8MM WIRE
&C345	15	015-22820-01	CAP CER 0805 CHIP 82P 5% NPO 50V	L100		056-00021-02	IND FXD 100UH AXIAL
&C345	20	015-25100-08	CAP CER 0805 CHIP 10N 10% X7R 50V	L301		052-08140-35	COIL A/W 3.5T/4.0MM HOR 0.8MM WIRE
&C345	25	015-22820-01	CAP CER 0805 CHIP 82P 5% NPO 50V	L302		052-08140-35	COIL A/W 3.5T/4.0MM HOR 0.8MM WIRE
&C346	10	015-25100-08	CAP CER 0805 CHIP 10N 10% X7R 50V	L303		052-08140-35	COIL A/W 3.5T/4.0MM HOR 0.8MM WIRE
&C346	15	015-22820-01	CAP CER 0805 CHIP 82P 5% NPO 50V	L304		050-00016-59	COIL TAIT 659 RF 3.5T C/W SLUG & CAN
&C346	20	015-25100-08	CAP CER 0805 CHIP 10N 10% X7R 50V	L305		050-00016-59	COIL TAIT 659 RF 3.5T C/W SLUG & CAN
&C346	25	015-22820-01	CAP CER 0805 CHIP 82P 5% NPO 50V	L306		052-08135-65	COIL A/W 6.5T/3.5MM HOR 0.8MM WIRE
&C347	10	015-22270-01	CAP CER 0805 CHIP 27P 5% NPO 50V	L307		056-00021-04	IND FXD 330NH AXIAL
&C347	15	015-22390-01	CAP CER 0805 CHIP 39P 5% NPO 50V	L308		056-00021-04	IND FXD 330NH AXIAL
&C347	20	015-22270-01	CAP CER 0805 CHIP 27P 5% NPO 50V	L309		050-00016-59	COIL TAIT 659 RF 3.5T C/W SLUG & CAN
&C347	25	015-22390-01	CAP CER 0805 CHIP 39P 5% NPO 50V	L310		050-00016-59	COIL TAIT 659 RF 3.5T C/W SLUG & CAN
C348		015-25100-08	CAP CER 0805 CHIP 10N 10% X7R 50V	L311		056-00021-04	IND FXD 330NH AXIAL
C349		020-58100-03	CAP ELECT AI RDL 10M 50V 5X11MM	L312		056-00021-04	IND FXD 330NH AXIAL
C350		015-25100-08	CAP CER 0805 CHIP 10N 10% X7R 50V	L313		056-00021-07	IND FXD 33UH AXIAL
C351		015-25100-08	CAP CER 0805 CHIP 10N 10% X7R 50V	L314		056-00021-09	IND FXD 820NH AXIAL 4X9MM
C352		015-25100-08	CAP CER 0805 CHIP 10N 10% X7R 50V	L315		050-00016-58	COIL TAIT 658 2MH IF 7.5*7.5 12.5 HI
&C353	10	015-22270-01	CAP CER 0805 CHIP 27P 5% NPO 50V	L316		050-00016-58	COIL TAIT 658 2MH IF 7.5*7.5 12.5 HI
&C353	15	015-22390-01	CAP CER 0805 CHIP 39P 5% NPO 50V	L317		050-00016-58	COIL TAIT 658 2MH IF 7.5*7.5 12.5 HI
&C353	20	015-22270-01	CAP CER 0805 CHIP 27P 5% NPO 50V	L319		050-00016-55	COIL TAIT 10N 655 455KHZ QUAD COIL 7MM C
&C353	25	015-22390-01	CAP CER 0805 CHIP 39P 5% NPO 50V				
&C354	10	015-25100-08	CAP CER 0805 CHIP 10N 10% X7R 50V	LED1		008-00013-32	(S) LED 3MM RED LO CURRENT NO MTG
&C354	15	015-22820-01	CAP CER 0805 CHIP 82P 5% NPO 50V	LED2		008-00013-35	(S) LED 3MM GREEN LO CURRENT NO MTG
&C354	20	015-25100-08	CAP CER 0805 CHIP 10N 10% X7R 50V				
&C354	25	015-22820-01	CAP CER 0805 CHIP 82P 5% NPO 50V	PL5		240-00020-57	HEADER 10 WAY 1 ROW PCB MTG
&C355	10	015-20050-01	CAP CER 0805 CHIP 0P5 +/-0.5P NPO 50	PL03		240-00020-59	HEADER 3 WAY 1 ROW PCB MTG
&C355	15	015-21180-01	CAP CER 0805 CHIP 1P8 +/-0.25 NPO 50	PL100		240-00020-59	HEADER 3 WAY 1 ROW PCB MTG
&C355	20	015-20050-01	CAP CER 0805 CHIP 0P5 +/-0.5P NPO 50	PL101		240-00020-59	HEADER 3 WAY 1 ROW PCB MTG
&C355	25	015-21180-01	CAP CER 0805 CHIP 1P8 +/-0.25 NPO 50	PL102		240-00020-59	HEADER 3 WAY 1 ROW PCB MTG
C357		015-25100-08	CAP CER 0805 CHIP 10N 10% X7R 50V	PL104		240-00020-59	HEADER 3 WAY 1 ROW PCB MTG
C358		025-08100-02	CAP TANT BEAD 10M 10% 16V	PL105		240-00020-58	HEADER 5 WAY 1 ROW PCB MTG
C359		015-25100-08	CAP CER 0805 CHIP 10N 10% X7R 50V	PL106		240-00020-59	HEADER 3 WAY 1 ROW PCB MTG
C360		015-24470-08	CAP CER 0805 CHIP 4N7 10% X7R 50V				
C361		015-22330-01	CAP CER 0805 CHIP 33P 5% NPO 50V	Q1		000-10057-10	(S) XSTR SMD MMBR571 NPN SOT-23 UHF LO PWT
C362		015-22330-01	CAP CER 0805 CHIP 33P 5% NPO 50V	Q3		000-10008-48	(S) XSTR SMD BCW60/BC848B215 NPN SOT23 AF
C363		015-06100-08	CAP CER 1206 CHIP 100N 10% X7R 50V	Q4		000-10008-48	(S) XSTR SMD BCW60/BC848B215 NPN SOT23 AF
C364		015-06100-08	CAP CER 1206 CHIP 100N 10% X7R 50V	Q100		000-10008-48	(S) XSTR SMD BCW60/BC848B215 NPN SOT23
C365		015-05470-08	CAP CER 1206 CHIP 47N 10% X7R 50V	Q101		000-10008-57	(S) XSTR SMD BCW70 PNP SOT23 AF SML SIG
C366		015-23150-01	CAP CER 0805 CHIP 150P 5% NPO 50V	Q102		000-10008-57	(S) XSTR SMD BCW70 PNP SOT23 AF SML SIG
C367		015-06100-08	CAP CER 1206 CHIP 100N 10% X7R 50V	Q103		000-10008-57	(S) XSTR SMD BCW70 PNP SOT23 AF SML SIG
C368		015-06100-08	CAP CER 1206 CHIP 100N 10% X7R 50V	Q104		000-10008-17	(S) XSTR SMD BC817-25 NPN SOT-23 AF LO
C369		015-22150-01	CAP CER 0805 CHIP 15P 5% NPO 50V	Q105		000-10008-48	(S) XSTR SMD BCW60/BC848B215 NPN SOT23
C370		015-05470-08	CAP CER 1206 CHIP 47N 10% X7R 50V	Q106		000-10008-48	(S) XSTR SMD BCW60/BC848B215 NPN SOT23
C371		015-25100-08	CAP CER 0805 CHIP 10N 10% X7R 50V	Q107		000-10008-48	(S) XSTR SMD BCW60/BC848B215 NPN SOT23
C372		015-23100-01	CAP CER 0805 CHIP 100P 5% NPO 50V	Q108		000-10008-48	(S) XSTR SMD BCW60/BC848B215 NPN SOT23
C373		025-08100-02	CAP TANT BEAD 10M 10% 16V	Q109		000-10008-48	(S) XSTR SMD BCW60/BC848B215 NPN SOT23
C374		025-08100-02	CAP TANT BEAD 10M 10% 16V	Q200		000-00011-30	(S) XSTR BC557B PNP AF SML SIG TO92
C375		025-08100-02	CAP TANT BEAD 10M 10% 16V	Q201		000-00012-15	(S) XSTR BD234 PNP AF PWR TO126
C376		015-23100-01	CAP CER 0805 CHIP 100P 5% NPO 50V	Q202		000-10008-17	(S) XSTR SMD BC817-25 NPN SOT-23 AF LO
C377		015-25100-08	CAP CER 0805 CHIP 10N 10% X7R 50V	Q203		000-10008-57	(S) XSTR SMD BCW70 PNP SOT23 AF SML SIG
C378		015-23100-01	CAP CER 0805 CHIP 100P 5% NPO 50V	Q301		000-10008-57	(S) XSTR SMD BCW70 PNP SOT23 AF SML SIG
C379		015-23100-01	CAP CER 0805 CHIP 100P 5% NPO 50V	Q302		000-10095-10	(S) XSTR SMD MMBR951 NPN UHF SOT-23
C380		015-25100-08	CAP CER 0805 CHIP 10N 10% X7R 50V	Q303		000-00020-18	(S) XSTR BF247A JFET TO-92 VHF SMALL SI
C381		025-08100-02	CAP TANT BEAD 10M 10% 16V	Q304		000-10095-10	(S) XSTR SMD MMBR951 NPN UHF SOT-23
C382		015-05470-08	CAP CER 1206 CHIP 47N 10% X7R 50V	Q305		000-10095-10	(S) XSTR SMD MMBR951 NPN UHF SOT-23
C383		015-05470-08	CAP CER 1206 CHIP 47N 10% X7R 50V	Q306		000-10008-48	(S) XSTR SMD BCW60/BC848B215 NPN SOT23
C384		015-23120-01	CAP CER 0805 CHIP 120P 5% NPO 50V	Q307		000-10008-48	(S) XSTR SMD BCW60/BC848B215 NPN SOT23
C385		015-23120-01	CAP CER 0805 CHIP 120P 5% NPO 50V				
C386		015-05470-08	CAP CER 1206 CHIP 47N 10% X7R 50V	R1		036-12100-00	RES M/F 0805 CHIP 10E 5%
C387		015-05470-08	CAP CER 1206 CHIP 47N 10% X7R 50V	R2		036-17100-00	RES M/F 0805 CHIP 1M 5%
C388		015-05470-08	CAP CER 1206 CHIP 47N 10% X7R 50V	R3		036-14100-00	RES M/F 0805 CHIP 1K 5%
&C500	10	015-20050-01	CAP CER 0805 CHIP 0P5 +/-0.5P NPO 50	R4		036-17100-00	RES M/F 0805 CHIP 1M 5%
&C500	15	015-22100-01	CAP CER 0805 CHIP 10P +/-0.5P NPO 50	R5		036-14330-00	RES M/F 0805 CHIP 3K3 5%
&C500	20	015-20050-01	CAP CER 0805 CHIP 0P5 +/-0.5P NPO 50	R6		036-12680-00	RES M/F 0805 CHIP 68E 5%
&C500	25	015-22100-01	CAP CER 0805 CHIP 10P +/-0.5P NPO 50	R7		036-13220-00	RES M/F 0805 CHIP 220E 5%
D1		001-10000-70	(S) DIODE SMD BAV70 DUAL SWITCH SOT-23 CO	R8		036-17100-00	RES M/F 0805 CHIP 1M 5%
D2		001-10000-70	(S) DIODE SMD BAV70 DUAL SWITCH SOT-23 CO	R10		036-17100-00	RES M/F 0805 CHIP 1M 5%
				R12		036-17100-00	RES M/F 0805 CHIP 1M 5%

Ref	Var	IPN	Description	Ref	Var	IPN	Description
R13		036-17100-00	RES M/F 0805 CHIP 1M 5%	R155		036-15150-00	RES M/F 0805 CHIP 15K 5%
R14		036-12100-00	RES M/F 0805 CHIP 10E 5%	R156		036-14560-00	RES M/F 0805 CHIP 5K6 5%
R15		036-17100-00	RES M/F 0805 CHIP 1M 5%	R157		036-16220-00	RES M/F 0805 CHIP 220K 5%
R16		036-12220-00	RES M/F 0805 CHIP 22E 5%	R158		036-14470-00	RES M/F 0805 CHIP 4K7 5%
R20		036-12220-00	RES M/F 0805 CHIP 22E 5%	R159		036-14470-00	RES M/F 0805 CHIP 4K7 5%
R21		036-15220-00	RES M/F 0805 CHIP 22K 5%	R160		036-14680-00	RES M/F 0805 CHIP 6K8 5%
R22		036-15100-00	RES M/F 0805 CHIP 10K 5%	R161		036-16100-00	RES M/F 0805 CHIP 100K 5%
R23		036-17100-00	RES M/F 0805 CHIP 1M 5%	R162		036-15470-00	RES M/F 0805 CHIP 47K 5%
R24		036-13220-00	RES M/F 0805 CHIP 220E 5%	R163		036-15150-00	RES M/F 0805 CHIP 15K 5%
R25		036-14100-00	RES M/F 0805 CHIP 1K 5%	R164		036-14390-00	RES M/F 0805 CHIP 3K9 5%
R26		036-17100-00	RES M/F 0805 CHIP 1M 5%	R165		036-13470-00	RES M/F 0805 CHIP 470E 5%
R27		036-17100-00	RES M/F 0805 CHIP 1M 5%	R200		036-12330-00	RES M/F 0805 CHIP 33E 5%
R28		036-15100-00	RES M/F 0805 CHIP 10K 5%	R201		036-14470-00	RES M/F 0805 CHIP 4K7 5%
R29		036-16100-00	RES M/F 0805 CHIP 100K 5%	R203		036-14100-00	RES M/F 0805 CHIP 1K 5%
R30		036-15100-00	RES M/F 0805 CHIP 10K 5%	R204		032-33270-00	RES M/F PWR 270E 5% 1W 12X4.5MM
R31		036-15100-00	RES M/F 0805 CHIP 10K 5%	R205		032-31100-00	RES M/F PWR 1E0 5% 1W 12X4.5MM
R32		036-16470-00	RES M/F 0805 CHIP 470K 5%	R206		036-14680-00	RES M/F 0805 CHIP 6K8 5%
R33		036-16470-00	RES M/F 0805 CHIP 470K 5%	R207		036-15100-00	RES M/F 0805 CHIP 10K 5%
R34		036-14470-00	RES M/F 0805 CHIP 4K7 5%	R208		032-31100-00	RES M/F PWR 1E0 5% 1W 12X4.5MM
R35		036-12220-00	RES M/F 0805 CHIP 22E 5%	R209		036-13100-00	RES M/F 0805 CHIP 100E 5%
R36		036-13680-00	RES M/F 0805 CHIP 680E 5%	R210		036-12330-00	RES M/F 0805 CHIP 33E 5%
R37		036-14100-00	RES M/F 0805 CHIP 1K 5%	R212		036-12100-00	RES M/F 0805 CHIP 10E 5%
R38		036-15150-00	RES M/F 0805 CHIP 15K 5%	R213		036-15150-00	RES M/F 0805 CHIP 15K 5%
R39		036-16100-00	RES M/F 0805 CHIP 100K 5%	R214		036-16100-00	RES M/F 0805 CHIP 100K 5%
R40		036-12220-00	RES M/F 0805 CHIP 22E 5%	R215		036-15560-00	RES M/F 0805 CHIP 56K 5%
R41		036-12100-00	RES M/F 0805 CHIP 10E 5%	R216		036-14150-00	RES M/F 0805 CHIP 1K5 5%
R42		036-12100-00	RES M/F 0805 CHIP 10E 5%	R217		036-13470-00	RES M/F 0805 CHIP 470E 5%
R43		036-13100-00	RES M/F 0805 CHIP 100E 5%	RV301		042-04220-06	RES PRESET 2K2 CARBON 6MM FLAT
R44		036-14470-00	RES M/F 0805 CHIP 4K7 5%	R301		036-14390-00	RES M/F 0805 CHIP 3K9 5%
R45		036-12220-00	RES M/F 0805 CHIP 22E 5%	R302		036-14100-00	RES M/F 0805 CHIP 1K 5%
RV100		040-05100-21	POT 10K LIN VERT PCB MTG 15MM SLOT SHA	RV303		042-05470-06	RES PRESET 47K CARBON 6MM FLAT TOP ADJ
R100		036-15270-00	RES M/F 0805 CHIP 27K 5%	R303		036-14220-00	RES M/F 0805 CHIP 2K2 5%
RV101		042-05100-06	RES PRESET 10K CARBON 6MM FLAT	R304		036-13470-00	RES M/F 0805 CHIP 470E 5%
R101		036-13100-00	RES M/F 0805 CHIP 100E 5%	R305		036-12100-00	RES M/F 0805 CHIP 10E 5%
RV102		040-05100-23	POT 10K LOG VERT PCB MTG 15MM SLOT SHA	R306		036-13180-00	RES M/F 0805 CHIP 180E 5%
R102		036-14220-00	RES M/F 0805 CHIP 2K2 5%	R307		036-12330-00	RES M/F 0805 CHIP 33E 5%
RV103		040-05100-22	POT 10K LOG DUAL PCB MTG 6MM OD SHAFT	R308		036-13470-00	RES M/F 0805 CHIP 470E 5%
R103		036-15220-00	RES M/F 0805 CHIP 22K 5%	R309		036-12120-00	RES M/F 0805 CHIP 12E 5%
RV104		042-05100-06	RES PRESET 10K CARBON 6MM FLAT	R310		036-13470-00	RES M/F 0805 CHIP 470E 5%
R104		036-15100-00	RES M/F 0805 CHIP 10K 5%	R311		036-17100-00	RES M/F 0805 CHIP 1M 5%
R105		036-16220-00	RES M/F 0805 CHIP 220K 5%	R312		036-10000-00	RES M/F 0805 CHIP ZERO OHM
R106		036-16330-00	RES M/F 0805 CHIP 330K 5%	R313		036-17100-00	RES M/F 0805 CHIP 1M 5%
&R107	10	036-15220-00	RES M/F 0805 CHIP 22K 5%	R314		036-13470-00	RES M/F 0805 CHIP 470E 5%
&R107	15	036-15180-00	RES M/F 0805 CHIP 18K 5%	R315		036-12120-00	RES M/F 0805 CHIP 12E 5%
&R107	20	036-15220-00	RES M/F 0805 CHIP 22K 5%	R316		036-13470-00	RES M/F 0805 CHIP 470E 5%
&R107	25	036-15180-00	RES M/F 0805 CHIP 18K 5%	R317		036-12470-00	RES M/F 0805 CHIP 47E 5%
R108		036-14820-00	RES M/F 0805 CHIP 8K2 5%	R318		036-13100-00	RES M/F 0805 CHIP 100E 5%
R109		036-15150-00	RES M/F 0805 CHIP 15K 5%	R319		036-12100-00	RES M/F 0805 CHIP 10E 5%
R110		036-16100-00	RES M/F 0805 CHIP 100K 5%	R320		036-13680-00	RES M/F 0805 CHIP 680E 5%
R111		036-14470-00	RES M/F 0805 CHIP 4K7 5%	R321		036-14100-00	RES M/F 0805 CHIP 1K 5%
R112		036-15390-00	RES M/F 0805 CHIP 39K 5%	R322		036-14330-00	RES M/F 0805 CHIP 3K3 5%
R113		036-16100-00	RES M/F 0805 CHIP 100K 5%	R323		036-14100-00	RES M/F 0805 CHIP 1K 5%
R114		036-14470-00	RES M/F 0805 CHIP 4K7 5%	R324		036-11470-00	RES M/F 0805 CHIP 4E7 10%
R115		036-14270-00	RES M/F 0805 CHIP 2K7 5%	R325		036-13100-00	RES M/F 0805 CHIP 100E 5%
R116		036-13100-00	RES M/F 0805 CHIP 100E 5%	R326		036-12560-00	RES M/F 0805 CHIP 56E 5%
R117		036-15470-00	RES M/F 0805 CHIP 47K 5%	R327		036-12390-00	RES M/F 0805 CHIP 39E 5%
R119		036-15100-00	RES M/F 0805 CHIP 10K 5%	R328		036-13470-00	RES M/F 0805 CHIP 470E 5%
R120		036-14390-00	RES M/F 0805 CHIP 3K9 5%	&R329	10	036-17100-00	RES M/F 0805 CHIP 1M 5%
R121		036-14100-00	RES M/F 0805 CHIP 1K 5%	&R329	15	036-14330-00	RES M/F 0805 CHIP 3K3 5%
&R122	10	036-14680-00	RES M/F 0805 CHIP 6K8 5%	&R329	20	036-17100-00	RES M/F 0805 CHIP 1M 5%
&R122	15	036-14390-00	RES M/F 0805 CHIP 3K9 5%	&R329	25	036-14330-00	RES M/F 0805 CHIP 3K3 5%
&R122	20	036-14680-00	RES M/F 0805 CHIP 6K8 5%	R330		036-13680-00	RES M/F 0805 CHIP 680E 5%
&R122	25	036-14390-00	RES M/F 0805 CHIP 3K9 5%	R331		036-14120-00	RES M/F 0805 CHIP 1K2 5%
R123		036-14680-00	RES M/F 0805 CHIP 6K8 5%	R333		036-15820-00	RES M/F 0805 CHIP 82K 5%
R124		036-14680-00	RES M/F 0805 CHIP 6K8 5%	R334		030-53470-20	RES FILM AI 470E 5% 0.4W 4X1.6MM
R125		036-14100-00	RES M/F 0805 CHIP 1K 5%	R335		036-15470-00	RES M/F 0805 CHIP 47K 5%
R126		036-15470-00	RES M/F 0805 CHIP 47K 5%	R336		036-15470-00	RES M/F 0805 CHIP 47K 5%
R127		036-16100-00	RES M/F 0805 CHIP 100K 5%	R338		036-16100-00	RES M/F 0805 CHIP 100K 5%
R128		036-13560-00	RES M/F 0805 CHIP 560E 5%	R339		036-17100-00	RES M/F 0805 CHIP 1M 5%
R129		036-14100-00	RES M/F 0805 CHIP 1K 5%	R340		036-15220-00	RES M/F 0805 CHIP 22K 5%
R130		036-14220-00	RES M/F 0805 CHIP 2K2 5%	R341		036-15100-00	RES M/F 0805 CHIP 10K 5%
R131		036-14100-00	RES M/F 0805 CHIP 1K 5%	R342		036-14100-00	RES M/F 0805 CHIP 1K 5%
R132		036-14680-00	RES M/F 0805 CHIP 6K8 5%	&R343	10	036-15100-00	RES M/F 0805 CHIP 10K 5%
R133		036-14120-00	RES M/F 0805 CHIP 1K2 5%	&R343	15	036-14820-00	RES M/F 0805 CHIP 8K2 5%
R134		036-15390-00	RES M/F 0805 CHIP 39K 5%	&R343	20	036-15100-00	RES M/F 0805 CHIP 10K 5%
R135		036-14820-00	RES M/F 0805 CHIP 8K2 5%	&R343	25	036-14820-00	RES M/F 0805 CHIP 8K2 5%
R136		036-15470-00	RES M/F 0805 CHIP 47K 5%	R344		036-15100-00	RES M/F 0805 CHIP 10K 5%
R137		036-15470-00	RES M/F 0805 CHIP 47K 5%	R345		045-03500-01	RES NTC 500E 5MM DISC UNCOATED
R138		036-14470-00	RES M/F 0805 CHIP 4K7 5%	R346		036-13220-00	RES M/F 0805 CHIP 220E 5%
R139		036-14470-00	RES M/F 0805 CHIP 4K7 5%	R347		036-15100-00	RES M/F 0805 CHIP 10K 5%
R140		036-14820-00	RES M/F 0805 CHIP 8K2 5%	R348		036-14150-00	RES M/F 0805 CHIP 1K5 5%
R141		036-15470-00	RES M/F 0805 CHIP 47K 5%	R349		036-17100-00	RES M/F 0805 CHIP 1M 5%
R142		036-15470-00	RES M/F 0805 CHIP 47K 5%	R350		036-16330-00	RES M/F 0805 CHIP 330K 5%
R143		036-15470-00	RES M/F 0805 CHIP 47K 5%	R351		036-12100-00	RES M/F 0805 CHIP 10E 5%
R144		036-11470-00	RES M/F 0805 CHIP 4E7 10%	R352		036-14330-00	RES M/F 0805 CHIP 3K3 5%
R145		036-11470-00	RES M/F 0805 CHIP 4E7 10%	R353		036-14100-00	RES M/F 0805 CHIP 1K 5%
R146		036-14100-00	RES M/F 0805 CHIP 1K 5%	R354		036-15150-00	RES M/F 0805 CHIP 15K 5%
R147		036-13150-00	RES M/F 0805 CHIP 150E 5%	R355		036-14330-00	RES M/F 0805 CHIP 3K3 5%
R148		036-14100-00	RES M/F 0805 CHIP 1K 5%	R356		036-16100-00	RES M/F 0805 CHIP 100K 5%
R149		036-13100-00	RES M/F 0805 CHIP 100E 5%	R357		036-15220-00	RES M/F 0805 CHIP 22K 5%
R150		036-14100-00	RES M/F 0805 CHIP 1K 5%	R358		036-13100-00	RES M/F 0805 CHIP 100E 5%
R151		036-14470-00	RES M/F 0805 CHIP 4K7 5%	R359		036-14270-00	RES M/F 0805 CHIP 2K7 5%
&R152	10	036-14470-00	RES M/F 0805 CHIP 4K7 5%	R360		036-14100-00	RES M/F 0805 CHIP 1K 5%
&R152	15	036-14330-00	RES M/F 0805 CHIP 3K3 5%	R361		036-15100-00	RES M/F 0805 CHIP 10K 5%
&R152	20	036-14470-00	RES M/F 0805 CHIP 4K7 5%	R362		036-15470-00	RES M/F 0805 CHIP 47K 5%
&R152	25	036-14330-00	RES M/F 0805 CHIP 3K3 5%	R363		036-15470-00	RES M/F 0805 CHIP 47K 5%
R153		036-15100-00	RES M/F 0805 CHIP 10K 5%	R364		036-15100-00	RES M/F 0805 CHIP 10K 5%
R154		036-13100-00	RES M/F 0805 CHIP 100E 5%	R365		036-12120-00	RES M/F 0805 CHIP 12E 5%

Ref	Var	IPN	Description	Ref	Var	IPN	Description
R366		036-12680-00	RES M/F 0805 CHIP 68E 5%				
R367		045-06100-01	RES NTC 100K 5% 5MM DISC				
R368		036-14100-00	RES M/F 0805 CHIP 1K 5%				
R369		036-15470-00	RES M/F 0805 CHIP 47K 5%				
R370		036-17100-00	RES M/F 0805 CHIP 1M 5%				
R371		036-10000-00	RES M/F 0805 CHIP ZERO OHM				
R372		036-17100-00	RES M/F 0805 CHIP 1M 5%				
R373		036-12560-00	RES M/F 0805 CHIP 56E 5%				
RL300		237-00010-22	RELAY 12V DPDT 8PIN DIL PCB MTG FUJITS				
SK1		240-04020-57	SKT 10 WAY 1ROW PCB MTG TOP ENTRY				
SW100		230-00010-30	SWITCH TOGGLE SPDT RT ANGLE PCB MT PAR				
T100		053-00010-17	XFMR T4030 LINE MATCH POTCORE				
T200		050-00016-50	COIL TAIT NO 650 455KHZ 5.6MM CAN				
VC301		028-02100-06	CAP TRIM 3/10P NPO TOP ADJ BLUE MUR TZ				
X301		274-00010-02	XTAL 20.945MHZ SPEC TE/15 C/W TEFLON IN				
&XF301	10	276-00010-43	FLTR XTAL HY-Q 1PR 21.4MHZ 15KHZ 4P				
&XF301	15	276-00010-44	FLTR XTAL ONE PAIR 21.4MHZ 7.5KHZ (
&XF301	20	276-00010-43	FLTR XTAL HY-Q 1PR 21.4MHZ 15KHZ 4P				
&XF301	25	276-00010-44	FLTR XTAL ONE PAIR 21.4MHZ 7.5KHZ (
&XF302	10	276-00010-47	FLTR XTAL 21.4MHZ 15KHZ B/W 2POLE 2				
&XF302	15	276-00010-46	FLTR XTAL 21.4MHZ 7.5KHZ B/W 2POLE				
&XF302	20	276-00010-47	FLTR XTAL 21.4MHZ 15KHZ B/W 2POLE 2				
&XF302	25	276-00010-46	FLTR XTAL 21.4MHZ 7.5KHZ B/W 2POLE				
&XF303	10	276-00010-14	FLTR CER 455KHZ 15KHZ B/W CFW455E				
&XF303	15	276-00010-13	FLTR CER 455KHZ 9KHZ B/W CFW455G				
&XF303	20	276-00010-14	FLTR CER 455KHZ 15KHZ B/W CFW455E				
&XF303	25	276-00010-13	FLTR CER 455KHZ 9KHZ B/W CFW455G				

T835 Mechanical & Miscellaneous Parts (220-01186-02)

IPN	Description	IPN	Description
012-04150-01	CAP CER F/THRU 1N5 NO LEAD (C1-C15)	349-00020-45	SCREW TAPTITE M4X20MM PAN POZI BZ bottom cover
051-00006-02	SOLDER SPRING 1.3MM A4M1877	352-00010-08	NUT M3 COLD FORM HEX ST BZ 'D' plug x2, cover x2,vco x2.
062-00010-13	CAN 10MM SQ X 11MM SANWA 613 A4M1017 Fit over coil T200	352-00010-29	NUT M4 NYLOC HEX handle
065-00010-13	BEAD FERRITE 7D 1.9*0.9*3.8MM STACK POLE	353-00010-10	WASHER M3 FLAT 7MM*0.6MM ST BZ FOR FLOAT PLATE
201-00030-02	WIRE #1 T/C WIRE 7/0.2MM PVC RED 2x30mm LED.	353-00010-11	WASHER M3 FLAT 9.5MM*0.9MM ST BZ For Final Carcassing Kit
201-00030-10	WIRE #1 T/C WIRE 7/0.2MM PVC BLACK 2x35mm LED.	353-00010-12	WASHER M3 SPRING BZ OR Z/C 'D' plug
220-01186-02	PCB T835 RX 136-174 MHZ	353-00010-13	WASHER M3 SHAKEPROOF INT BZ 'D' hole cover x2, vco x2.
230-00010-31	COVER LEVER FOR TOGGLE SW 230-00010-30	362-00010-23	GASKET SIL INSULATING TO-220 CLIP MTD
240-00010-55	PLUG 15 WAY D RANGE WIRE WRAP PINS PNL MTG	362-00010-33	GROMMET LED MTG 3MM LO CURRENT LEDS D102, D105
240-02010-54	SKT 15WAY DRANGE PNL MTG 125 DEG C	365-00011-53	LABEL WHITE RW2365/1 104*37MM SPECIAL ADHSV
240-02100-06	SKT COAX N TYPE PNL MTG OPEN TERMN	365-00100-20	LABEL WHITE S/A 28X11MM QUIKSTIK RW718/4
240-04020-62	SKT 2 WAY RECEP TL SHORTING LINK	365-01391-01	(L)LABEL BLNK 30*10.8MM TAMPERMARK VOID MATT
240-04020-65	SKT JACK PIN 1.3MM PCB MTG 64 WAY SIL STRAP FOR SJ2,SJ3, SJ4-1 TO SJ4-5, SJ5-1 TO SJ5-5	399-00010-51	BAG PLASTIC 75*100MM
303-11168-00	CHASSIS HSINK PNTD COMPLT A1M2364 800 SERIES	400-00020-07	SLEEVING 2MM SIL RUBBER
303-23118-00	COVER A3M2247 D RANGE HOLE T855/7	410-01081-00	CRTN T800 MODULE KIWI REF22860 PRD 402X192X6
303-50074-00	CLIP A3M2246 SPRING XSTR CLAMP T857	410-01082-00	CRTN 10 T800 KIWI REF24417 423X410X360
306-01010-00	FERRULE A4M948 HANDLE FXD EQUIP		
308-01007-00	HANDLE A4M949 FXD EQUIP		
311-01015-00	KNOB SATO K34 AG 15MM & SKIRT 6MM SHAFT FXD E		
312-01052-00	LID TOP PNTD COMPL A1M2364 800 SERIES		
312-01053-00	LID BOTTOM PNTD COMPL A1M2364 800 SERIES		
316-06406-02	PNL FRT COMPL T835 A3M2208/4		
316-85015-01	PIN A4M775 LOCATING D RANGE		
316-85099-00	PLATE FLOAT A2M2248 DUAL D RANGE SKT BOX		
316-85100-00	PLATE FRT A2M2249 DUAL D RANGE SKT BOX		
318-01014-00	RAIL A2M2214 FOR 800 SERIES FXD EQUIP		
319-01152-00	SHIELD A3M2250 F/THRU MTG T857		
345-00040-06	SCREW M3*8MM PAN POZI ST BZ		
345-00040-08	SCREW M3*12MM PAN POZI ST BZ 'D' range hole cover		
345-00040-09	SCREW M3*6MM CSK POZI TRUNCATED HEAD ST BZ rail mounting		
345-00040-10	SCREW M3*6MM PAN POZI ST BZ Rail x4, Float Plate x4.		
345-00040-11	SCREW M3X10MM PAN POZI ST BZ For Final Carcassing Kit		
345-00040-20	SCREW M3*8MM BUTTON SKT HD BLACK ZINC PHOS front panel		
349-00020-32	SCREW TAPTITE M3X8MM PAN POZI BZ PCB mounting x8, 'N' connector x4.		
349-00020-43	SCREW TAPTITE M4X12MM PAN POZI BZ top cover		

T835 Grid Reference Index (IPN 220-01186-02)

How To Use This Grid Reference Index

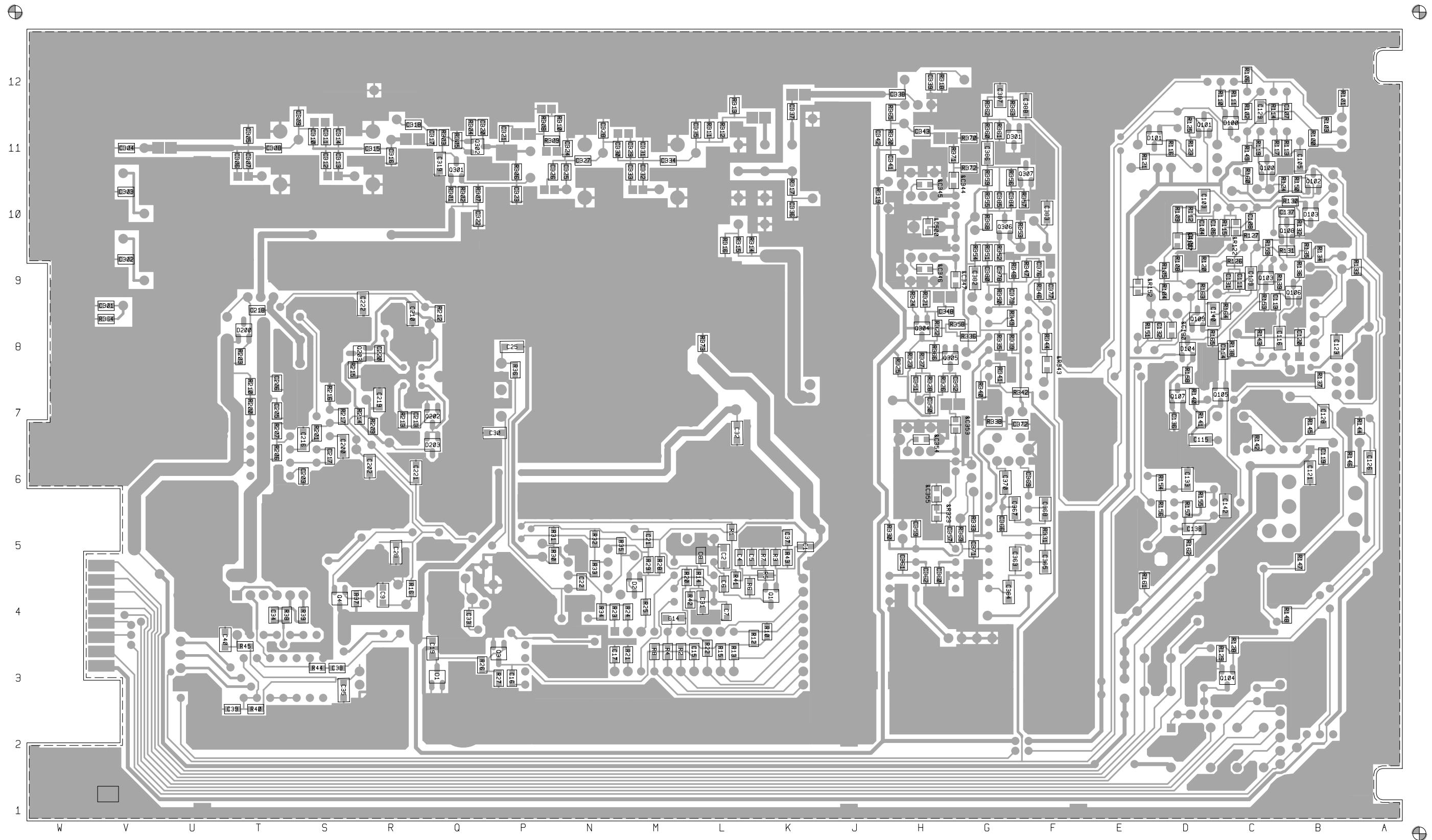
The first digit in the PCB layout reference is a "1" or "2", indicating the top or bottom side layout respectively, and the last two characters give the location of the component on that diagram.

The first digit in the circuit diagram reference is the sheet number, and the last two characters give the location of the component on that sheet.

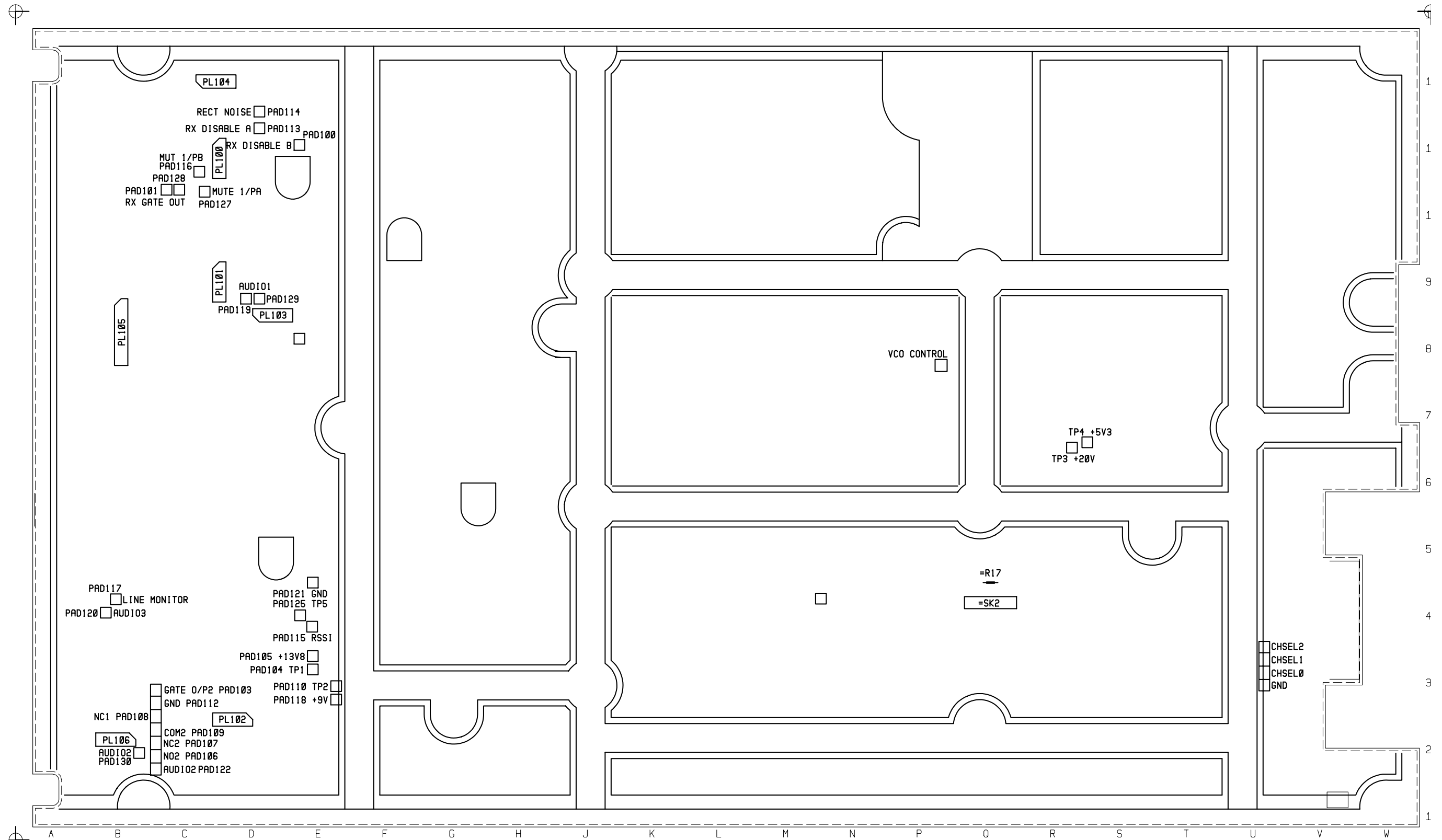
Device	PCB	Circuit	Device	PCB	Circuit	Device	PCB	Circuit	Device	PCB	Circuit
C1	2:K5	1-B4	C126	2:A6	2-R7	C322	2:Q10	4-J8	C382	2:G9	4-M2
C2	2:L5	1-B5	C127	1:A8	2-P4	C323	2:P10	4-J8	C383	2:F10	4-M0
C4	2:L5	1-B5	C128	2:B7	2-P2	C324	2:N11	4-K7	C384	2:G10	4-N1
C5	2:L5	1-C4	C129	2:C12	2-E3	C325	2:N11	4-K7	C385	2:G10	4-M1
C6	2:L4	1-D5	&C130	2:D8	2-B8	C326	2:P11	4-K8	C386	2:G11	4-P2
C7	2:L4	1-D5	C131	2:C9	2-H6	C327	2:N11	4-L7	C387	2:G12	4-Q1
C8	2:L5	1-D4	C132	2:D8	2-B8	C328	2:N11	4-L7	C388	2:F12	4-Q1
C9	2:R4	1-A8	C133	2:D6	2-E1	C329	2:M11	4-L7	&C500	2:H10	4-H3
C13	1:L5	1-F4	C134	1:D3	2-R2	C330	2:N11	4-L7	D1	2:Q3	1-K2
C14	2:M4	1-F4	C135	1:D3	2-R2	C331	2:M11	4-M7			1-K2
C15	2:L3	1-G2	C136	2:D7	2-M6	C332	2:M11	4-M7	D2	2:M4	1-M3
C16	2:P3	1-G2	C137	2:C10	2-L2	C333	2:M11	4-M8			1-L3
C17	2:N3	1-H3	C138	2:D5	2-C0	C334	2:M11	4-M7	D100	2:C11	2-D2
C19	2:Q4	1-J2	C139	2:C9	2-H9	C335	2:L11	4-N7			2-D2
C20	1:P5	1-K5	C140	2:D9	2-J9	C336	2:K10	4-C3	D101	2:E11	2-E4
C21	2:M5	1-M2	C141	1:C8	2-K8	C337	2:K12	4-D4			2-E4
C22	2:N5	1-L5	C142	2:C6	2-B0	C338	2:H12	4-D4	D102	1:B11	2-H2
C23	1:N4	1-L5	C200	2:S7	3-D1	C339	2:H12	4-E3	D103	2:B10	2-J2
C24	1:M5	1-P4	C201	1:S6	3-F1	C340	1:J10	4-D4			2-H2
C25	2:P8	1-M5	C202	2:R6	3-G1	C341	2:H11	4-E4	D104	2:D8	2-J4
C26	1:R4	1-Q8	C203	2:S6	3-J3	C342	2:J11	4-F4			2-J5
C27	1:R5	1-Q7	C204	1:T7	3-L1	C343	2:H11	4-F4	D105	1:B10	2-K1
C28	2:R5	1-R7	C205	2:T7	3-M1	&C344	2:H11	4-G4	D106	1:E3	2-L1
C30	2:P7	1-R8	C206	2:T8	3-M1	&C345	2:H11	4-G3	D107	1:D3	2-L0
C31	2:L4	1-D5	C207	1:R7	3-N6	&C346	2:H9	4-J3	D108	1:D3	2-L0
C32	2:L7	1-Q5	C210	2:R9	3-G6	&C347	2:H9	4-J4	D200	2:T8	3-K3
C33	2:Q4	1-C7	C211	1:Q8	3-G6	C348	2:H9	4-K4			3-K3
C34	2:T4	1-C8	C212	1:R7	3-L5	C349	1:H7	4-K5	D201	1:V6	3-C7
C35	2:S3	1-E9	C213	2:R7	3-J6	C350	2:H7	4-L5	D203	2:Q7	3-L7
C36	1:S3	1-E9	C214	1:R8	3-H6	C351	2:H7	4-M3			3-L6
C37	2:K5	1-B4	C215	1:R9	3-E8	C352	2:H7	4-M4	D301	2:G11	4-P1
C38	2:S3	1-G7	C216	2:S7	3-H1	&C353	2:H7	4-M4	IC1	1:M4	1-D4
C39	2:T3	1-H9	C217	2:S6	3-J2	&C354	2:H7	4-N3	IC2	1:R5	1-B8
C40	2:U4	1-J9	C218	2:T9	3-K3	&C355	2:H6	4-P3	IC3	1:N4	1-F3
C100	1:E9	2-C8	C219	2:R7	3-N6	C357	2:H5	4-P4	IC4	1:N4	1-K5
C101	2:D10	2-D7	C220	2:R8	3-G6	C358	1:H5	4-A2			1-N3
C102	1:D9	2-D8	C221	2:R6	3-M6	C359	2:H5	4-B2	IC5	1:T4	1-J8
C103	2:D10	2-E7	C222	2:R9	3-F8	C360	2:H5	4-B0			1-D7
C104	2:D10	2-E7	C301	2:V9	4-B7	C361	2:H5	4-C1			1-D7
C105	2:B11	2-D2	C302	2:V9	4-B7	C362	2:H5	4-C1			1-E7
C106	2:D10	2-E7	C303	2:V10	4-C7	C363	2:G5	4-E0			1-J8
C107	2:C12	2-F1	C304	2:V11	4-C7	C364	2:G4	4-E0			1-K8
C108	2:C10	2-R5	C305	2:T11	4-D7	C365	2:F5	4-E1			1-L8
C110	1:D11	2-G5	C306	2:T11	4-D8	C366	2:G5	4-E2	IC6	1:T3	1-H8
C111	2:C9	2-H6	C307	2:T11	4-D7	C367	2:G6	4-F2			1-F7
C112	1:B9	2-J8	C308	2:T11	4-E7	C368	2:F6	4-F1			1-F8
C113	2:C9	2-M2	C309	2:S12	4-E7	C369	2:F6	4-F1	IC100	1:C12	2-F3
C114	2:C8	2-M5	C310	2:S11	4-E7	C370	2:G6	4-F1			2-B2
C115	2:D7	2-N7	C311	2:S11	4-E7	C371	2:G5	4-G0			2-E1
C116	2:C8	2-M3	C312	2:S11	4-F8	C372	2:G7	4-G2	IC101	1:C10	2-R5
C117	1:C7	2-P7	C313	2:S11	4-F7	C373	1:G7	4-H2			2-F7
C118	1:C8	2-N2	C314	2:S11	4-F7	C374	1:G9	4-G1			2-G7
C119	2:B6	2-Q8	C315	2:R11	4-F7	C375	1:F7	4-H1	IC102	1:B7	2-P7
C120	2:B8	2-P4	C316	2:R11	4-G7	C376	2:F9	4-J2	IC103	1:B8	2-N2
C121	2:B6	2-Q8	C317	2:Q11	4-G7	C377	2:F9	4-J2	IC104	1:D6	2-E0
C122	1:B7	2-Q7	C318	2:R11	4-H7	C378	2:G9	4-K2			2-D0
C123	2:B8	2-P4	C319	2:Q11	4-G7	C379	2:G9	4-K2			2-B0
C124	1:B8	2-P3	C320	2:Q11	4-H7	C380	2:G9	4-L1	IC201	1:T6	3-H3
C125	1:C6	2-R8	C321	2:P11	4-J7	C381	1:G8	4-L2			3-H1

Device	PCB	Circuit	Device	PCB	Circuit	Device	PCB	Circuit	Device	PCB	Circuit
		3-R0	PL102	1:D3	2-L0	R26	2:Q3	1-J2	&R152	2:E9	2-B7
IC202	1:S7	3-E1			2-L1	R27	2:P3	1-J2	R153	2:C9	2-J3
IC301	1:K11	4-B4			2-L1	R28	2:M5	1-L4	R154	2:D6	2-C1
IC302	1:H5	4-B0	PL103	1:D9	2-B9	R29	2:M5	1-M3	R155	2:D6	2-C1
IC303	1:G4	4-E0			2-B8	R30	2:P5	1-J5	R156	2:D6	2-C0
IC304	1:G8	4-L2			2-B8	R31	2:P5	1-K6	R157	2:D6	2-C1
		4-H0	PL104	1:C12	2-C1	R32	2:N5	1-M4	R158	2:D8	2-L6
		4-H2			2-C1	R33	2:N5	1-M2	R159	2:C10	2-L3
		4-K2			2-C2	R34	2:N4	1-L5	R160	2:C11	2-G2
		4-K0	PL105	1:B9	2-K7	R35	2:N5	1-N4	R161	2:E5	2-A0
L1	1:K5	1-A4			2-K7	R36	2:P8	1-M5	R162	2:D5	2-B1
L100	1:E3	2-K2			2-K7	R37	2:S4	1-Q8	R163	2:D9	2-H9
L301	1:V9	4-B7			2-K7	R38	2:T4	1-C7	R164	2:C9	2-J8
L302	1:V10	4-B7			2-K8	R39	2:S4	1-D8	R165	2:D8	2-J8
L303	1:V11	4-C7	PL106	1:B2	2-L8	R40	2:T3	1-E9	R200	2:T7	3-D1
L304	1:T11	4-E7			2-L9	R41	2:L5	1-B5	R201	2:S7	3-G1
L305	1:R11	4-F7			2-L8	R42	2:M4	1-D6	R203	2:T8	3-K3
L306	1:R12	4-H6	PL200	1:V5	3-B7	R43	2:K5	1-B4	R204	1:U9	3-K2
L307	1:P11	4-H8			3-B6	R44	2:S3	1-G7	R205	1:U8	3-K3
L308	1:R10	4-H9			3-B8	R45	2:T4	1-J9	R206	2:T6	3-L1
L309	1:N11	4-L7			3-B7	RV100	1:B11	2-A2	R207	2:T7	3-L0
L310	1:M11	4-M7			3-B6	R100	2:B11	2-A3	R208	1:U8	3-L3
L311	1:K11	4-C3			3-B5	RV101	1:E11	2-F5	R209	2:R7	3-M7
L312	1:K11	4-C4			3-B5	R101	2:B12	2-A2	R210	2:T7	3-D2
L313	1:G12	4-E4			3-B9	R102	2:C12	2-B1	R212	2:Q9	3-G8
L314	1:H11	4-E4			3-B9	RV102	1:B9	2-K3	R213	2:R7	3-J6
L315	1:H11	4-G4			3-B8	RV103	1:B8	2-M7	R214	2:S7	3-J5
L316	1:H9	4-J4			3-B8	R103	2:B11	2-B2	R215	2:S8	3-H5
L317	1:H7	4-N4			3-B6	R104	2:D9	2-C9	R216	2:S7	3-E0
L319	1:G7	4-F1			3-B6	RV104	1:D5	2-C0	R217	2:S7	3-F1
PAD100	1:E11	2-A4			3-B8	R105	2:D9	2-C8	R301	2:Q10	4-G8
PAD101	1:C10	2-A3			3-B7	R106	2:C12	2-C2	RV301	1:F10	4-M1
PAD103	1:C3	2-L0	Q1	2:K4	1-C4	&R107	2:D10	2-D8	R302	2:Q10	4-G8
PAD104	1:E3	2-P8	Q3	2:P3	1-J2	R108	2:D9	2-D8	R303	2:Q11	4-H7
PAD105	1:E3	2-P8	Q4	2:S4	1-Q9	R109	2:D10	2-D8	RV303	1:G6	4-G0
PAD106	1:C2	2-P1	Q100	2:C11	2-G2	R110	2:D12	2-D2	R304	2:Q11	4-H7
PAD107	1:C2	2-P0	Q101	2:D11	2-H4	R111	2:C12	2-D2	R305	2:Q11	4-H7
PAD108	1:C3	2-Q1	Q102	2:B11	2-H2	R112	2:D10	2-E8	R306	2:P11	4-J8
PAD109	1:C2	2-Q0	Q103	2:C9	2-J4	R113	2:C11	2-E2	R307	2:Q10	4-H8
PAD110	1:E3	2-D9	Q104	2:C3	2-K0	R114	2:C12	2-F1	R308	2:P11	4-J7
PAD111	1:E8	2-A8	Q105	2:D7	2-N6	R115	2:C10	2-G6	R309	2:P11	4-J7
PAD112	1:C3	2-A5	Q106	2:B9	2-M2	R116	2:D11	2-F4	R310	2:N11	4-K7
PAD113	1:D11	2-A4	Q107	2:D7	2-M6	R117	2:C11	2-F2	R311	2:L11	4-N7
PAD114	1:D12	2-A1	Q108	2:C10	2-L2	R119	2:C11	2-F2	R312	2:L11	4-N7
PAD115	1:E4	2-A1	Q109	2:D8	2-J9	R120	2:D9	2-F8	R313	2:L12	4-P7
PAD116	1:C11	2-G2	Q200	1:S6	3-K1	R121	2:E11	2-F5	R314	2:L10	4-B5
PAD117	1:B4	2-Q3	Q201	1:T9	3-L2	&R122	2:C10	2-G7	R315	2:L10	4-B5
PAD118	1:E3	2-A9	Q202	2:Q7	3-K6	R123	2:D11	2-G4	R316	2:L10	4-B5
PAD119	1:D9	2-H9	Q203	2:S8	3-H7	R124	2:C11	2-G3	R317	2:K10	4-C4
PAD120	1:B4	2-L8	Q301	2:Q11	4-H8	R125	2:D11	2-G5	R318	2:H12	4-E3
PAD121	1:E5	2-A5	Q302	2:Q11	4-H7	R126	2:C9	2-H7	R319	2:J10	4-E5
PAD122	1:C2	2-K9	Q303	1:H12	4-E4	R127	2:C10	2-H7	R320	2:H11	4-F4
PAD123	1:R7	3-N7	Q304	2:H8	4-L4	R128	2:C4	2-H1	R321	2:H9	4-K3
PAD124	1:S7	3-G2	Q305	2:H8	4-L4	R129	2:C3	2-H0	R322	2:H8	4-L4
PAD125	1:E4	4-J0	Q306	2:G10	4-M1	R130	2:B10	2-J4	R323	2:H8	4-L5
PAD126	1:N4	1-P3	Q307	2:F11	4-N1	R131	2:C10	2-J7	R324	2:H9	4-L3
PAD127	1:C10	2-G2	R1	2:L5	1-B6	R132	2:B10	2-J2	R325	2:H8	4-L5
PAD128	1:C10	2-A4	R2	2:M3	1-B1	R133	2:A9	2-K1	R326	2:H7	4-L5
PAD129	1:D9	2-H9	R3	2:K5	1-B4	R134	2:B9	2-K3	R327	2:H8	4-L4
PAD130	1:B2	2-K9	R4	2:M3	1-B1	R135	2:B10	2-L3	R328	2:H7	4-L3
PL1	1:P5	1-R0	R5	2:K5	1-C5	R136	2:B9	2-M3	&R329	2:H6	4-P3
		1-R0	R6	2:L4	1-C5	R137	2:B8	2-M7	R330	2:J5	4-B2
		1-R1	R7	2:K5	1-C4	R138	2:C8	2-M4	R331	2:F5	4-E2
		1-R2	R8	2:M3	1-C1	R139	2:C9	2-M3	R333	2:G5	4-G0
		1-R2	R10	2:K4	1-C1	R140	2:D7	2-M7	R334	1:G6	4-G0
		1-R2	R12	2:L4	1-D1	R141	2:D7	2-N7	R335	2:G8	4-G1
		1-R2	R13	2:L3	1-D1	R142	2:C7	2-N7	R336	2:G8	4-G1
		1-R1	R14	2:L5	1-D6	R143	2:C8	2-N3	R338	2:G7	4-G2
		1-R3	R15	2:L3	1-D1	R144	2:A7	2-R6	R339	2:G8	4-H2
		1-R1	R16	2:R4	1-B9	R145	2:B7	2-P2	R340	2:G7	4-H0
PL100	1:D11	2-H3	R20	2:M5	1-G5	R146	2:B6	2-R7	R341	2:G8	4-H0
		2-H3	R21	2:M3	1-H3	R147	2:B5	2-Q3	R342	2:G7	4-J0
		2-H3	R22	2:L4	1-H4	R148	2:C4	2-Q3	&R343	2:F8	4-H1
PL101	1:D9	2-H7	R23	2:N4	1-J4	R149	2:C11	2-F3	R344	2:F8	4-H2
		2-H6	R24	2:M4	1-J3	R150	2:B11	2-G3	R345	1:F8	4-H2
		2-H7	R25	2:M4	1-K3	R151	2:E8	2-B8	R346	2:F9	4-J2

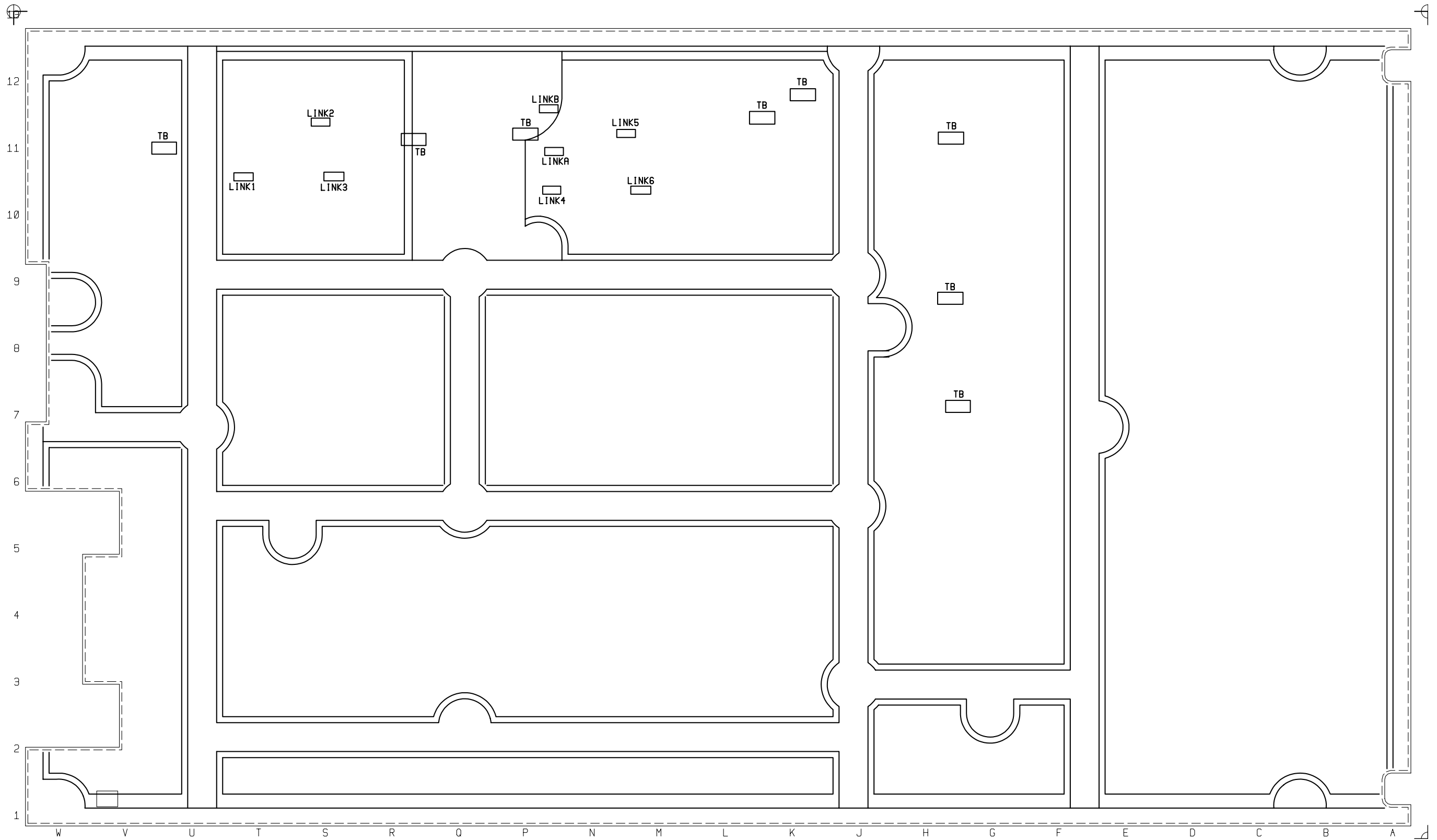
<u>Device</u>	<u>PCB</u>	<u>Circuit</u>	<u>Device</u>	<u>PCB</u>	<u>Circuit</u>	<u>Device</u>	<u>PCB</u>	<u>Circuit</u>	<u>Device</u>	<u>PCB</u>	<u>Circuit</u>
R347	2:F9	4-J2									
R348	2:G9	4-J2									
R349	2:G8	4-K1									
R350	2:G9	4-K2									
R351	2:G9	4-L1									
R352	2:G9	4-L1									
R353	2:G10	4-M1									
R354	2:G9	4-M1									
R355	2:G10	4-M1									
R356	2:G11	4-N1									
R357	2:F10	4-N1									
R358	2:G8	4-N2									
R359	2:G11	4-N2									
R360	2:G11	4-P2									
R361	2:G11	4-P1									
R362	2:G12	4-P2									
R363	2:G12	4-Q2									
R364	2:V8	4-A7									
R365	2:H12	4-E4									
R366	2:H8	4-L4									
R367	1:G10	4-M2									
R368	2:G10	4-M1									
R369	2:G5	4-G0									
R370	2:G11	4-F3									
R371	2:H11	4-G4									
R372	2:G11	4-G3									
R373	2:L8	1-A4									
RL100	1:D2	2-K1									
		2-N1									
		2-N0									
SJ2	1:L8	1-A4									
SJ3	1:L7	1-R5									
SJ4-1	1:P8	1-R5									
SJ4-2	1:P8	1-R7									
SJ4-3	1:P7	1-R6									
SJ4-4	1:P7	1-R6									
SJ4-5	1:P7	1-R9									
SJ5-1	1:K8	1-R4									
SJ5-2	1:K8	1-R4									
SJ5-3	1:K8	1-R3									
SJ5-4	1:K7	1-R3									
SJ5-5	1:K7	1-R4									
SK1	1:K5	1-A1									
		1-A3									
		1-A3									
		1-A3									
		1-A2									
		1-A2									
		1-A2									
		1-A2									
		1-A1									
		1-A1									
SW100	1:B6	2-A6									
T100	1:C4	2-Q2									
T200	1:R8	3-K7									
VC301	1:H10	4-H3									
X301	1:J4	4-C1									
&XF301A	1:H10	4-G4									
&XF301B	1:H10	4-J4									
&XF302	1:H6	4-N4									
&XF303	1:G4	4-D0									



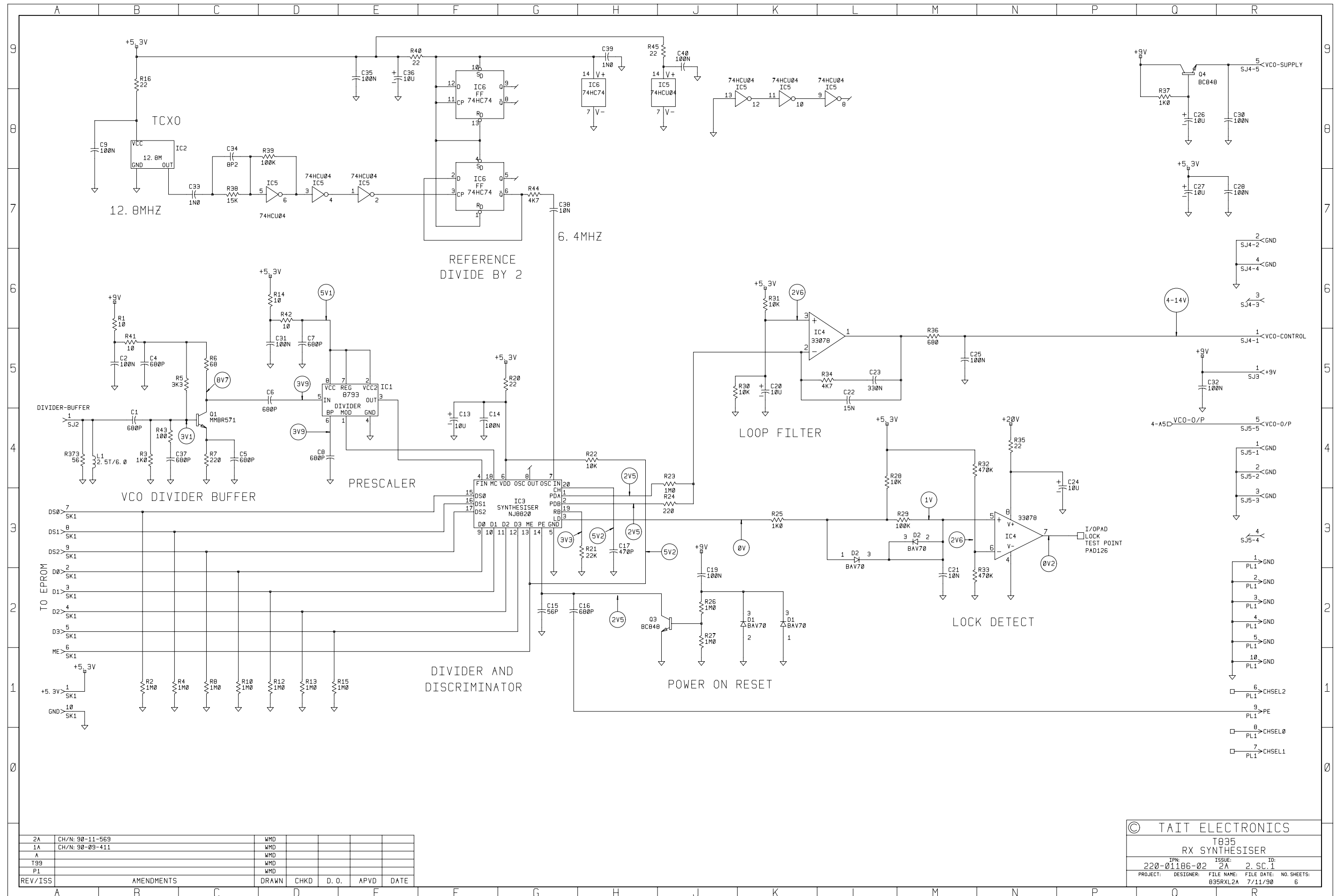
T835 PCB Layout
Bottom Side
220-01186-02



T835 Test Points & Options
Top Side
220-01186-02

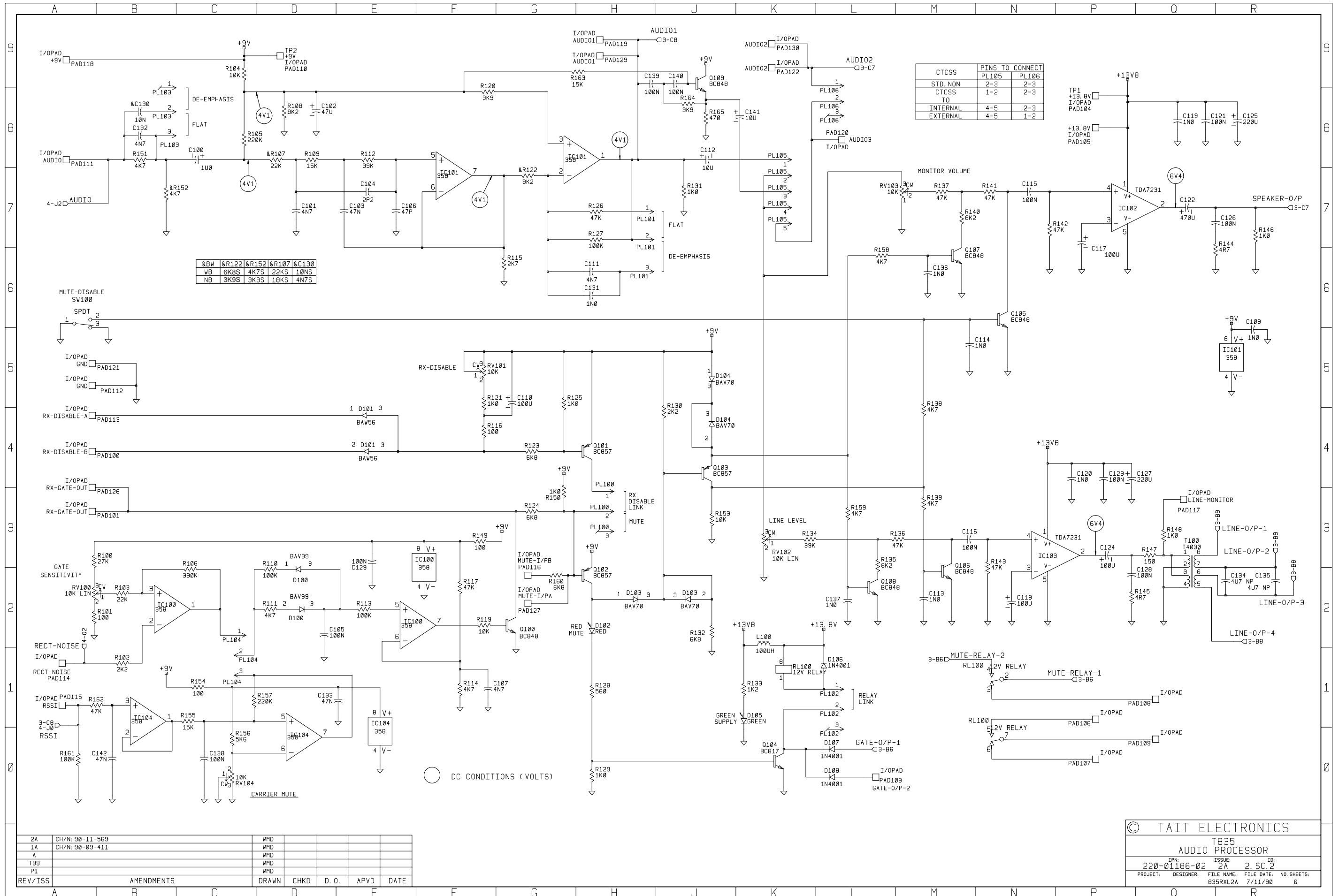


T835 Test Points & Options
Bottom Side
220-01186-02



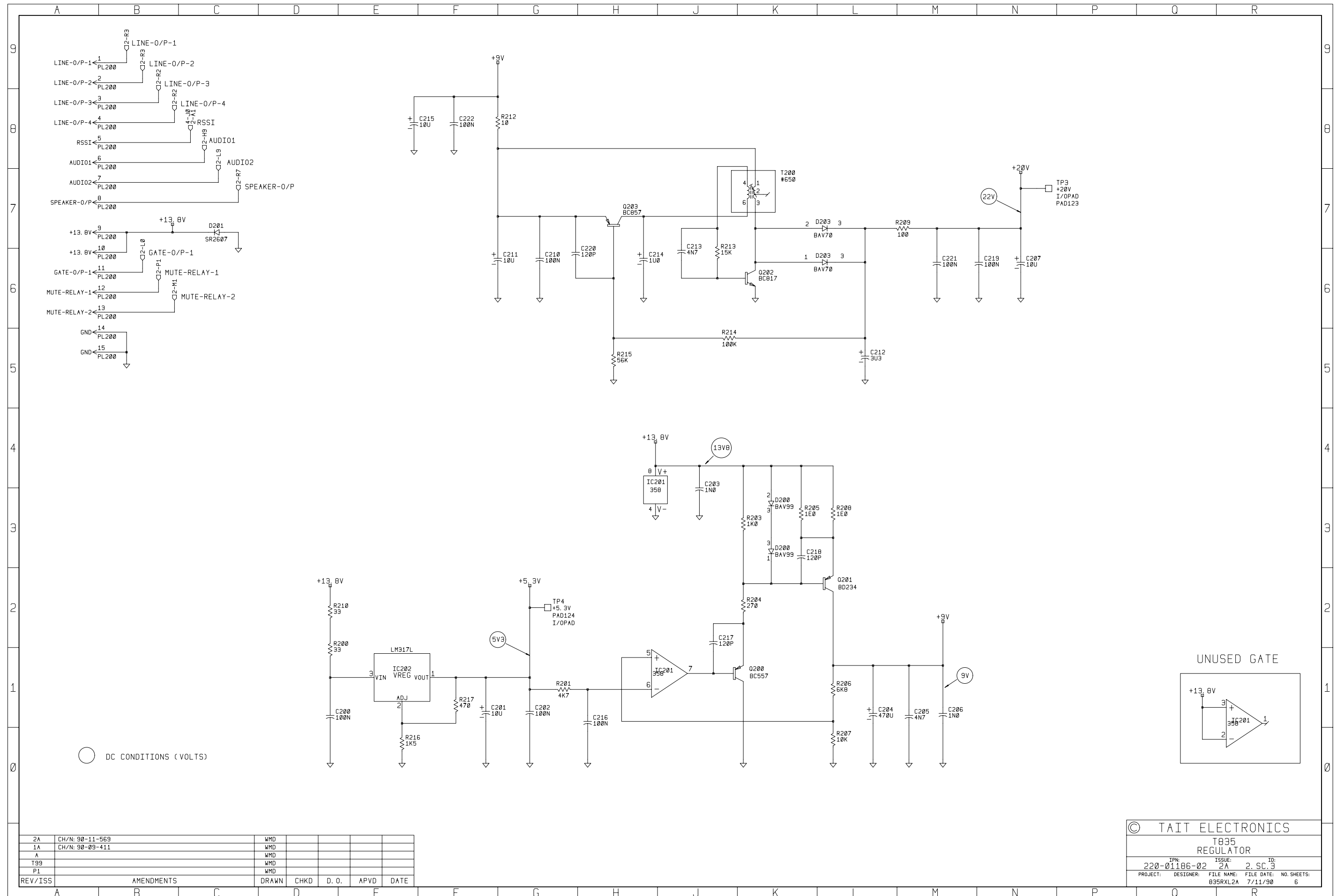
2A	CH/N: 90-11-569	WMD			
1A	CH/N: 90-09-411	WMD			
A		WMD			
T99		WMD			
P1		WMD			
REV/ISS	AMENDMENTS	DRAWN	CHKD	D. O.	APVD DATE

© TAIT ELECTRONICS					
T835					
RX SYNTHESISER					
IPN:	220-01186-02	ISSUE:	2A	ID:	2 SC.1
PROJECT:	DESIGNER:	FILE NAME:	FILE DATE:	NO. SHEETS:	6
		B35RXL2A	7/11/90		



2A	CH/N: 90-11-569	WMD			
1A	CH/N: 90-09-411	WMD			
A		WMD			
T99		WMD			
P1		WMD			
REV/ISS	AMENDMENTS	DRAWN	CHKD	D. O.	APVD

© TAIT ELECTRONICS
 T835
 AUDIO PROCESSOR
 IPN: 220-01186-02 ISSUE: 2A ID:
 PROJECT: DESIGNER: FILE NAME: FILE DATE: NO. SHEETS:
 835RXL2A 7/11/90 6



© TAIT ELECTRONICS
 T835
 REGULATOR
 IPN: 220-01186-02 ISSUE: 2A ID: 2, SC, 9
 PROJECT: DESIGNER: FILE NAME: FILE DATE: NO. SHEETS:
 835RXL2A 7/11/90 6

